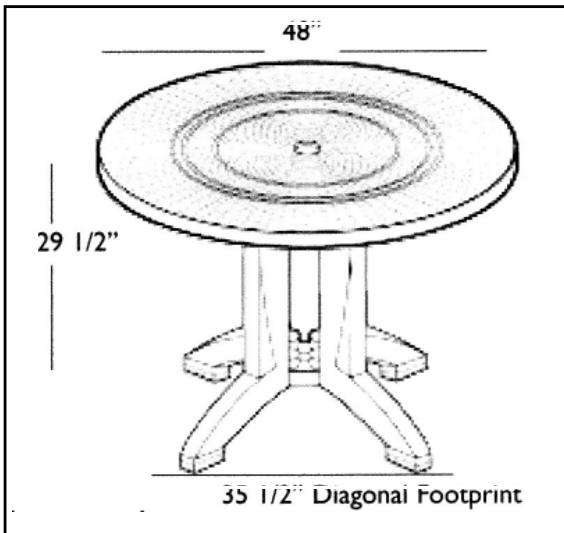




### 48" Round Aquaba Resin Table Wicker Decor

- 44.5 Lbs.
- 48" Round x 29"H.
- 100% Resin pedestal base & top.
- UV Reistant.
- 1 1/2" diameter umbrella hole with plug.
- Masterpack of 1.
- Leg leveler on one leg.
- *\$50.00 charge for orders under \$500.00.*
- Some assembly required.

**Item #:** GR 48HVR



#### NATIONAL OUTDOOR FURNITURE, INC.

1210 W. Main Street #296 Riverhead, NY 11901  
 Toll-Free Phone: 1-888-663-4621  
 Phone: 631-369-9099 Fax: 631-207-8312  
 Email: [nofinc@optonline.net](mailto:nofinc@optonline.net)  
[www.nationaloutdoorfurniture.com](http://www.nationaloutdoorfurniture.com)

#### NATIONAL OUTDOOR FURNITURE, INC.

144 Murdock Road #325 Pomfret Center, CT 06259  
 Toll-Free Phone: 1-888-516-8873  
 Phone: 1-860-974-1551 Fax: 516-706-1901  
 Email: [nofinc@earthlink.net](mailto:nofinc@earthlink.net)  
[www.nationaloutdoorfurniture.com](http://www.nationaloutdoorfurniture.com)